

4

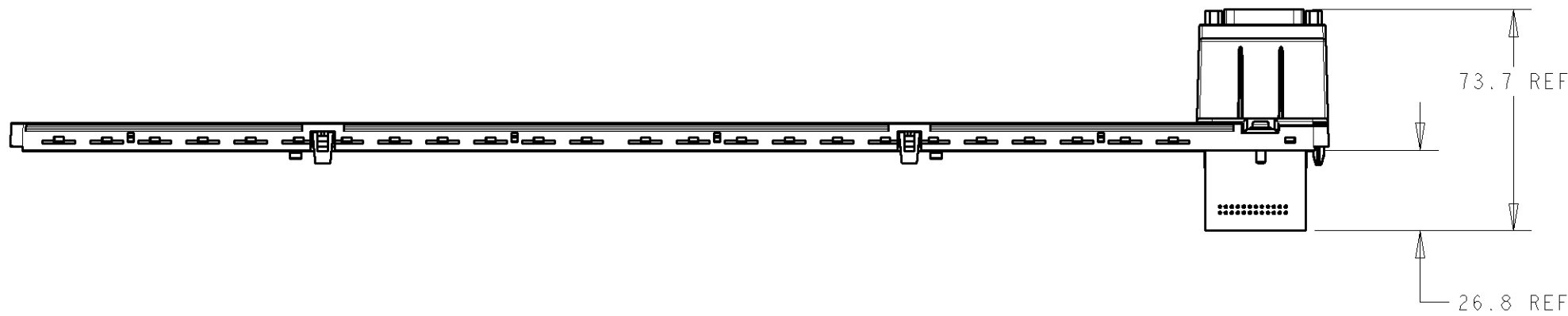
3

2

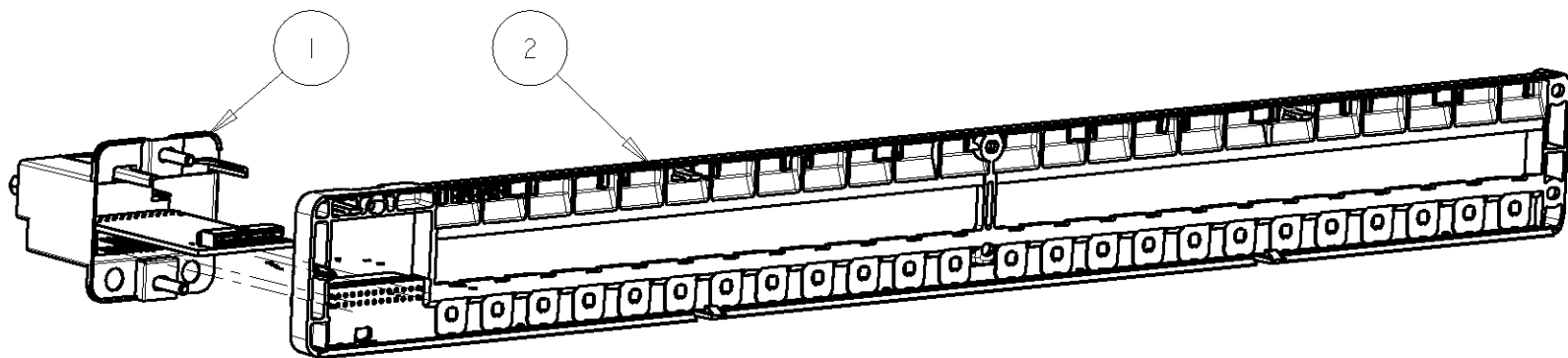
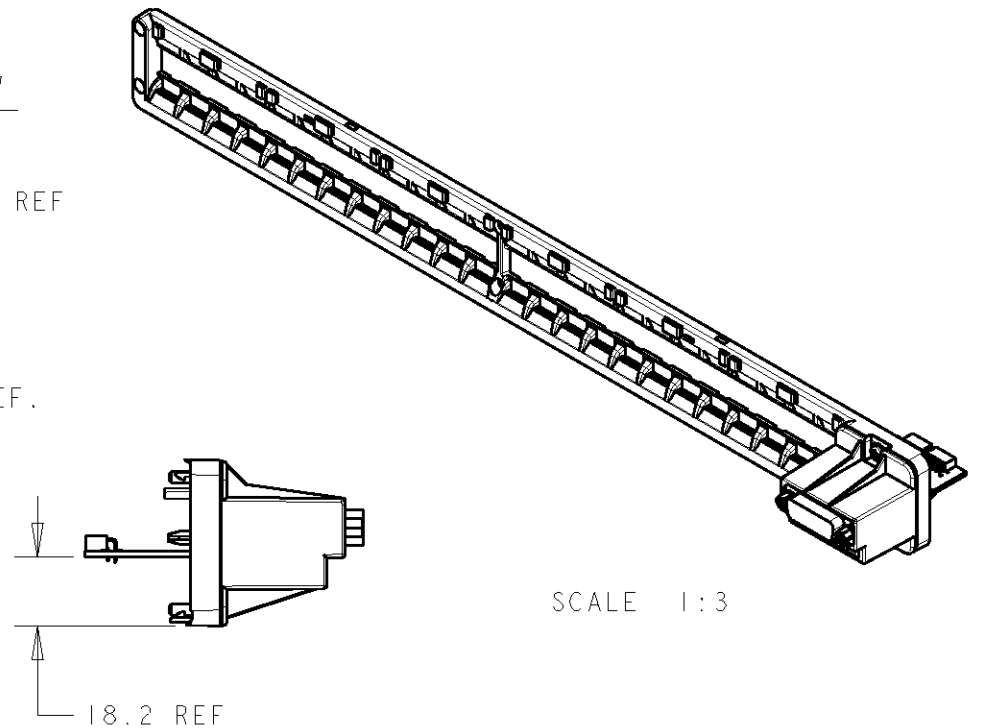
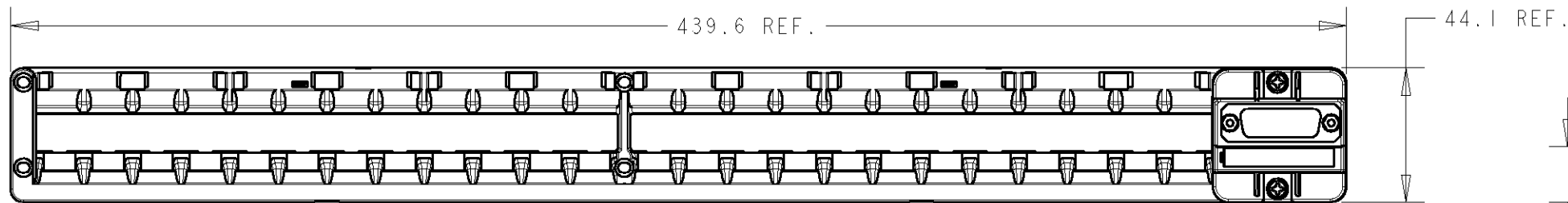
1

THIS DRAWING IS UNPUBLISHED. RELEASED FOR PUBLICATION 20  
© COPYRIGHT 20 BY TYCO ELECTRONICS CORPORATION. ALL RIGHTS RESERVED.

LOC	DIST	REVISIONS			
P	LTR	DESCRIPTION	DATE	DWN	APVD
1K	2	D	ECR-06-012496	23-May-06	JG JS
		DI	REMOVED PART REV FROM TABLE	04-Dec-06	JG JS



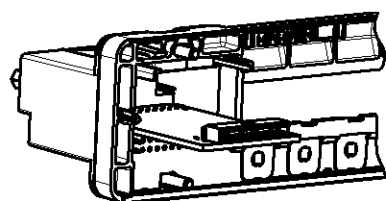
- 1.- PACKAGING: ONE BOX WITH TWO KITS, ASSEMBLED, INTO POLYBAG, INCLUDING SCREW SET AND LABEL SET AND INSTRUCTION SHEET.
- 2.- SEE UPGRADE PANEL INSTRUCTION SHEET



EXPLODED VIEW

1711148-1 AS SHOWN IN THIS SHEET

QTY	QTY	DESCRIPTION	ITEM
-4	-1	INTERCHANGEABLE CASSETTE KIT, FRONTAL AND REAR CONNECTOR	1
		FRONTAL ASSY	2
		INTERCHANGEABLE CASSETTE KIT FOR REAR AMPMODU CONN. ONLY	3



ASSY DETAIL SCALE 1:2

THIS DRAWING IS A CONTROLLED DOCUMENT FOR TYCO ELECTRONICS CORPORATION IT IS SUBJECT TO CHANGE AND THE CONTROLLING ENGINEERING ORGANIZATION SHOULD BE CONTACTED FOR THE LATEST REVISION.

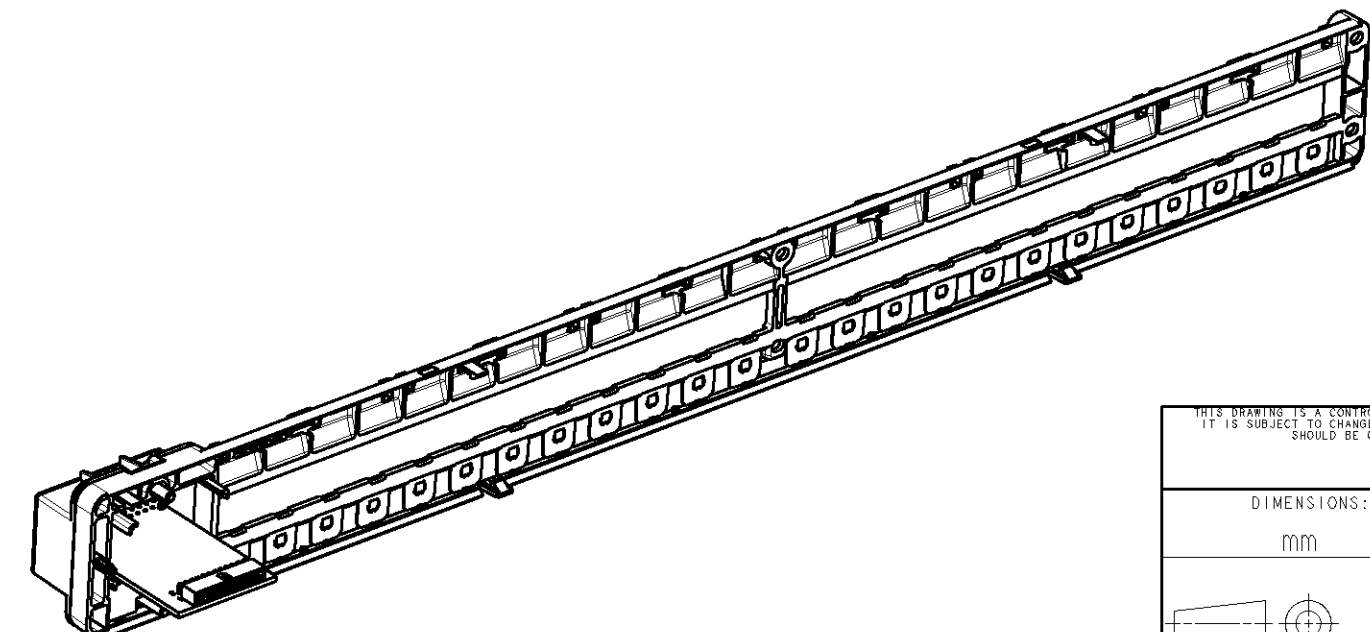
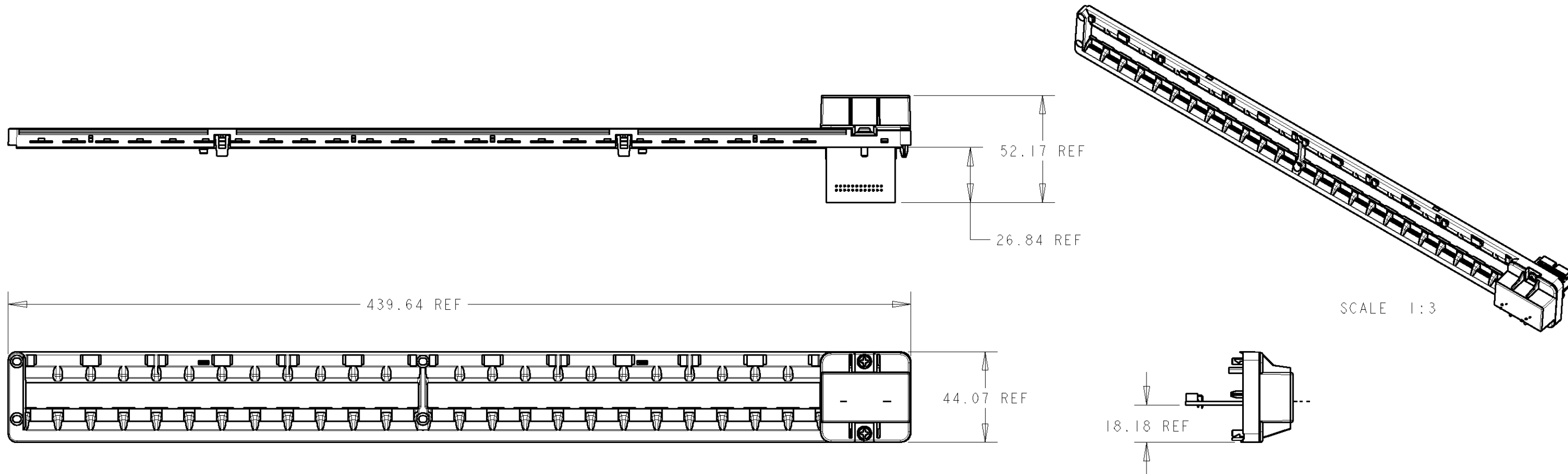
DIMENSIONS:	TOLERANCES UNLESS OTHERWISE SPECIFIED:
mm	0 PLC ±
	1 PLC ±
	2 PLC ±
	3 PLC ±
	4 PLC ±
	ANGLES ±
MATERIAL -	FINISH -

DWN	J. GATNAU	28-Nov-03
CHK	A. PUELL	28-Nov-03
APVD	J. SANABRA	28-Oct-04
PRODUCT SPEC	108-22138	
APPLICATION SPEC	114-93001	
WEIGHT	-	
CUSTOMER DRAWING		

<b>tyco</b> Electronics		tyco electronics AMP España, S.A. Barcelona, Spain.	
NAME UPGRADE KIT FOR AMPTRAC READY			
SIZE	CAGE CODE	DRAWING NO	RESTRICTED TO
A3	00779	1711148	-
SCALE 1:5		SHEET 1 OF 2	REV D1

THIS DRAWING IS UNPUBLISHED. RELEASED FOR PUBLICATION 20  
 © COPYRIGHT 20 BY TYCO ELECTRONICS CORPORATION. ALL RIGHTS RESERVED.

LOC	DIST	REVISIONS					
		P	LTR	DESCRIPTION	DATE	DWN	APVD
1K	2	-	-	SEE SHEET 1	-	-	-



1711148-4 AS SHOWN IN THIS SHEET

<small>THIS DRAWING IS A CONTROLLED DOCUMENT FOR TYCO ELECTRONICS CORPORATION          IT IS SUBJECT TO CHANGE AND THE CONTROLLING ENGINEERING ORGANIZATION          SHOULD BE CONTACTED FOR THE LATEST REVISION.</small>		DWN J.GATNAU 24-Feb-06 CHK A.PUELL 24-Feb-06 APVD J.SANABRA 23-May-06		<b>tyco</b> <b>Electronics</b>		tyco electronics AMP España, S.A. Barcelona. Spain.			
DIMENSIONS: mm		TOLERANCES UNLESS OTHERWISE SPECIFIED: 0 PLC ± 1 PLC ± 2 PLC ± 3 PLC ± 4 PLC ± ANGLES ±		PRODUCT SPEC 108-22138 APPLICATION SPEC 114-93001		NAME UPGRADE KIT FOR AMPTRAC READY			
MATERIAL -		FINISH -		WEIGHT -		SIZE A3	CAGE CODE 00779	DRAWING NO C-1711148	RESTRICTED TO -
CUSTOMER DRAWING				SCALE 1:2	SHEET 2 OF 2	REV D1			